

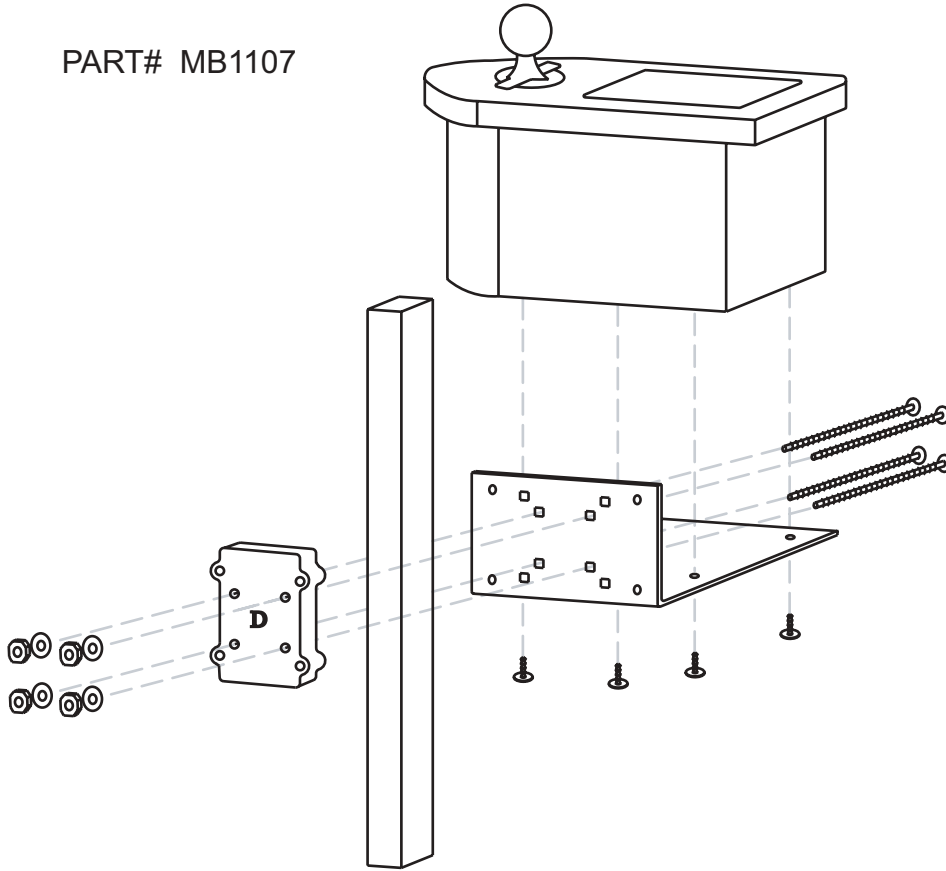


2907 29th Ave. E
Bradenton, FL 34208
(941) 746-7844

METAL / BLACK POWER COAT



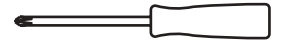
PART# MB1107



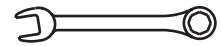
Parts List

1. (1) Metal Bracket
2. (1) Part D
3. (4) 1/4-20 x 3" Carriage Bolts
4. (4) 1/4" Flat Washers
5. (4) 1/4" Lock Washers
6. (4) 1/4" Nuts
7. (4) # 10-3/4" Phillips Head Screws

Tools Required



2 Phillips Head ScrewDriver



7/16" Wrench

Instructions

- 1) Insert the four bolts into the metal bracket plate. (Variation for placement can be obtained by selecting the holes that match the desired location on your golf cart.)
- 2) Using the (4), 3/4" black screws included, attach your ball washer unit to the metal bracket plate. (Avoid over tightening the screws.)
- 3) Secure your mounting bracket to the post by placing the plastic cap, part "D" around the 4 bolts through the corresponding holes on part "D". Place one flat washer over each bolt, followed by the lock washer and nut. Tighten nuts securely.