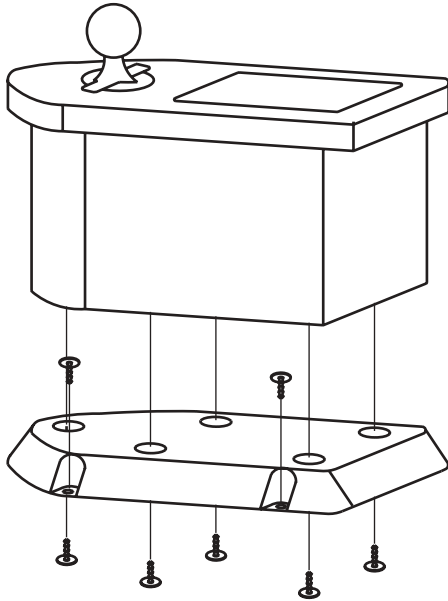




2907 29th Ave. E
Bradenton, FL 34208
(941) 746-7844



FEN1001

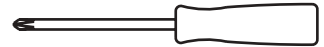


Parts List

1. (1) Fender Mount
2. (9) #3 10 3/4" Phillips Head Screws

Tools Required

#2 Phillips Head ScrewDriver



Instructions

OPTION ONE:

- 1) Attach the ball washer to the mounting bracket with 4 of the black headed screws provided.
- 2) Use the 4 remaining black headed screws to mount the attached Unit / Bracket to your golf cart fender, workbench, post, etc.

OPTION TWO:

- 1) Attach the ball washer to mounting bracket with 4 of the black headed screws provided.
- 2) Clean and dry the 4 outside mounting areas, (located on the bottom of mounting plate) with isopropyl alcohol.
- 3) Take the two sided adhesive tape and peel off one side, attaching it with firm pressure to the clean dry areas.
- 4) Determine the desired location for your unit, clean the area with isopropyl alcohol and dry. Peel off remaining paper and apply to designated area with firm pressure.

Please Note: With option two, 4 of the black screws will not be used.

fen1001 103103